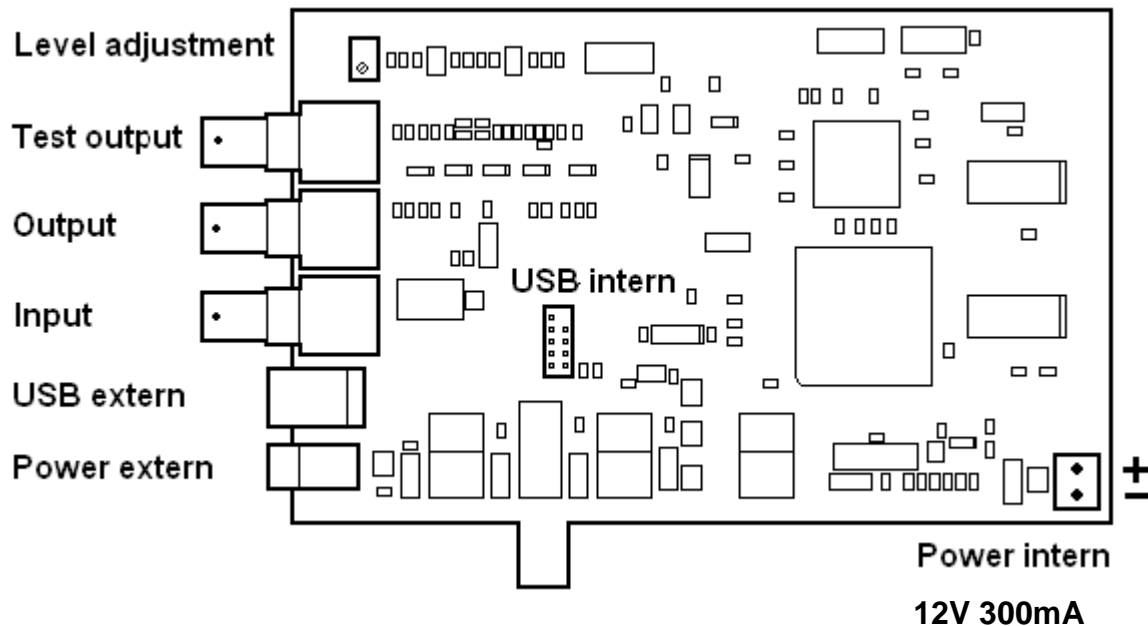


PHecap USB Teletext Inserter Installation Instructions



System demands both internal and external version

- IBM compatible computer
- Windows XP (pro) to Windows 10 (pro) operating system, 32 or 64 bits
- USB 2 or higher interface
- 80 Mb free disk space.
- CD-ROM player

System demands internal version only

- One free PCIe slot, slot is needed only for mechanical fixation.
- One free internal USB connector (not necessary)

Installation internal version

- Disconnect the power of the computer and open the case.
- Place the inserter carefully in the free PCIe-slot and lock the bracket in the case with a screw.
- Connect the supplied 10 pole flat cable between the USB internal connector and a free USB- connector on the motherboard. When no free motherboard connector is available then use an external USB-cable. *Never connect both USB cables together.*
- Connect the supplied power connector to a free disk power connector (12V 300mA). *Always use this supplied power cable with Molex connector.*
- Close the case.

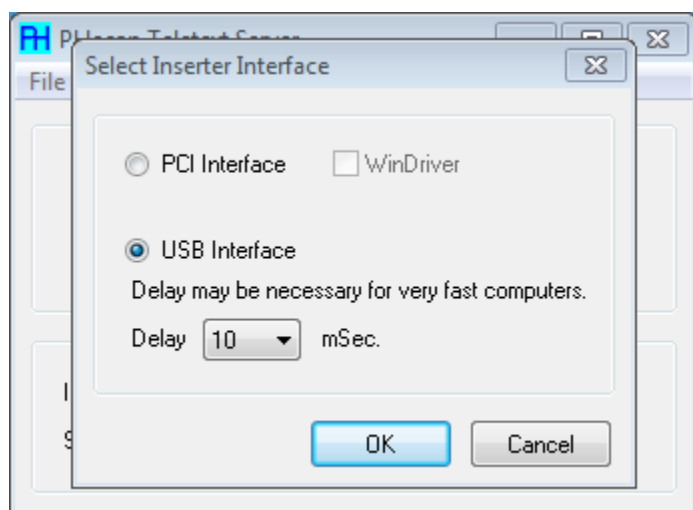
Installation both internal and external version

- Connect a video signal to the input connector of the inserter (1Vpp).
- Connect the output to the modulator or to the video input (scart) of a television set.
- Place the CD-ROM in the CD-ROM player.
- Connect the power to the PC and switch it on, and if applicable connect the power supply to the external version.
- When the computer is turned on and Windows is started you will see a message "New hardware found", ignore this and instead run CDM20824_Setup.exe from the CD to install the USB-driver (*run as administrator with right mouse button*).
- When installed on Windows 10 the driver is installed automatically when the inserter is powered on and connected to the USB bus.
- Now run "Setup.exe" on the CD.
- Select and install the PHetext from the Setup screen.
- Now the inserter is ready for use.

When after start of PHetext an error message is shown "Inserter not found" go to menu "Options – Set Inserter Interface" and check "USB Interface" and restart the program.

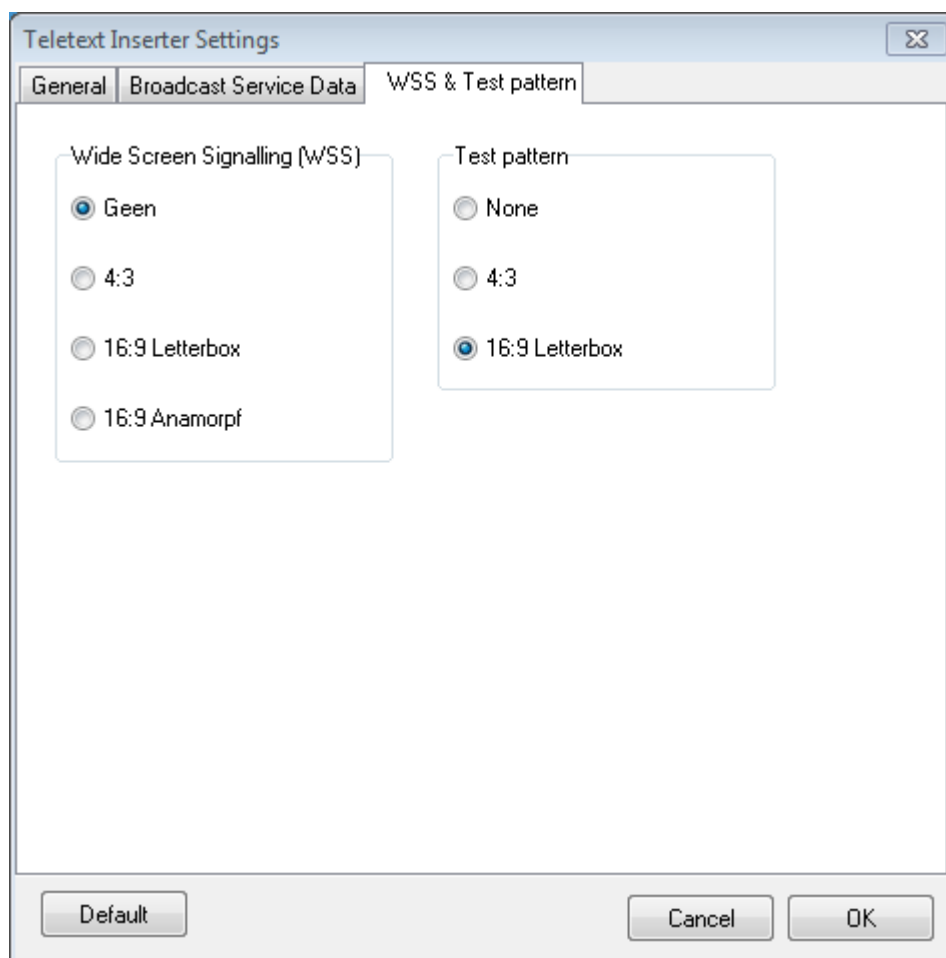
The PheText inserter is fully adjusted so there is no need for user adjustments.

USB inserter only configuration settings



After starting of PheTxtServer or PheText you get an error message "Inserter not found". Click "OK" and select menu "Options" and then "Inserter Interface". Select "USB Interface" click "OK". You have to stop the program and start it again.

In some cases when used with very fast computers it may be necessary to adjust the delay.



Click "OK" and select menu "Options" and then "Inserter settings" to set WSS & Test pattern.